

Pro Components

CTP-D42 SERIES AUTO INSERTABLE PRINTED CIRCUIT TEST POINTS

SPECIFICATIONS:

Material: 0.508mm(0.020") Diameter Copper Wire(24 AWG)

Finish: Electro-Tin

Mounting Hole: 0.889mm x 1016mm(0.035" to 0.040") Diameter.
Plated Through.

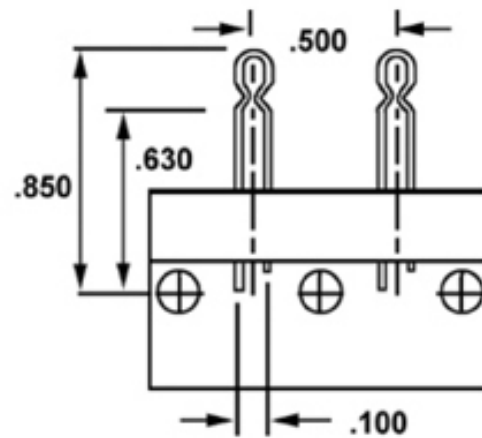
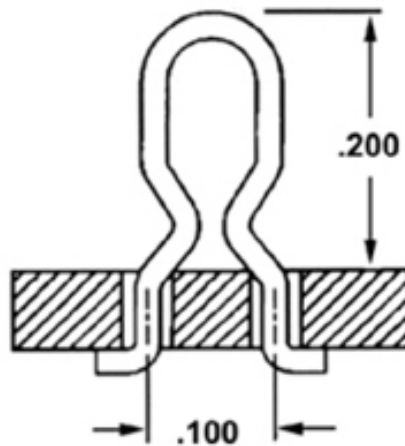
Standard Pack: 5000/Reel

Taping Standard: Universal Instruments Specification #GS-187E.

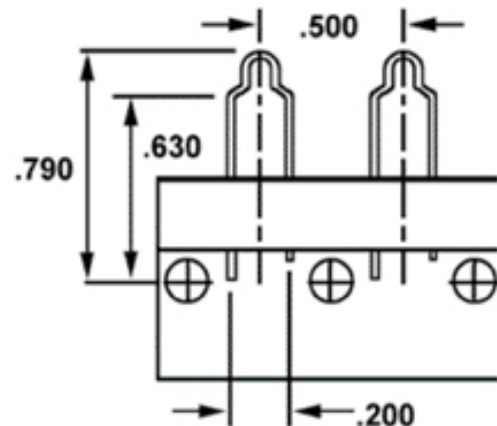
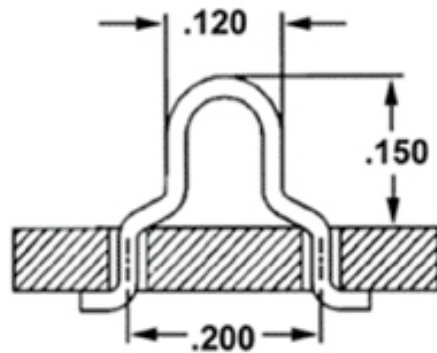


DIMENSIONS:(UNITS: INCHES)

CTP-D42-10



CTP-D42-20



Part Number	Lead Spacing
CTP-D42-10	0.254mm(0.100")
CTP-D42-20	0.508mm(0.200")